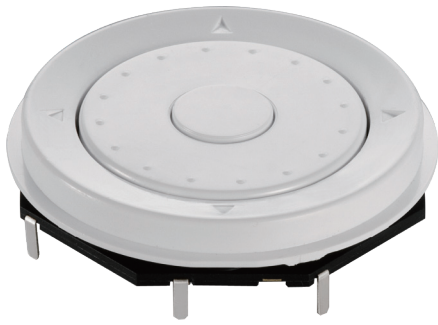


ROTARY SWITCHES



ANO SERIES

SPECIFICATIONS

Operating Force

Rotation-Max. 60 gf-cm
5 way switch-Max. 300 gf

Contact Resistance(initial)

Max. 300 mΩ
Measured by ohm meter - open voltage < 1VDC, driver current -100 mA

Insulation Resistance(at 100 VDC/ minute)

Min. 100 MΩ

Operating Temperature Range

0°C to 40°C

Electrical Service Life

Rotation-Min. 200,000 operations
(C.W. 100,000 & C.C.W. 100,000 operations)
Push-Min. 1,000,000 operations

Electrical Operating Frequency

Rotation-30 operations per minute
Push-120 operations per minute

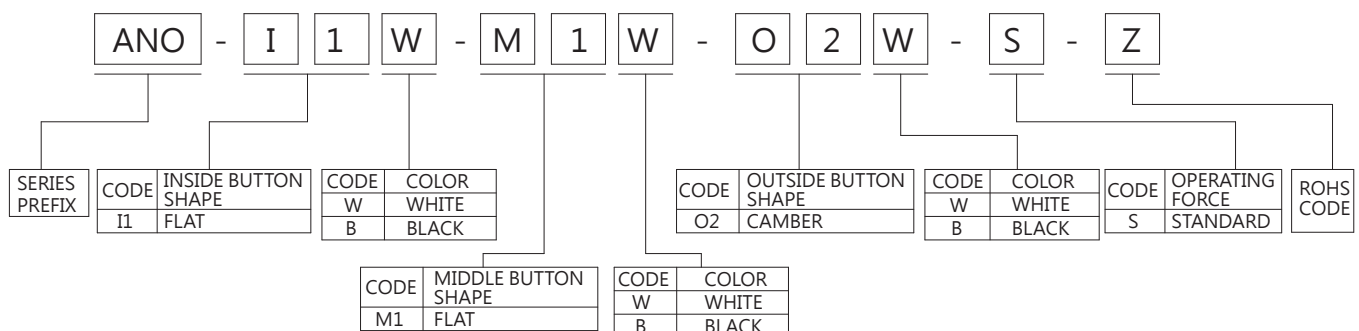
RATING

1mA 10VDC

APPLICATIONS

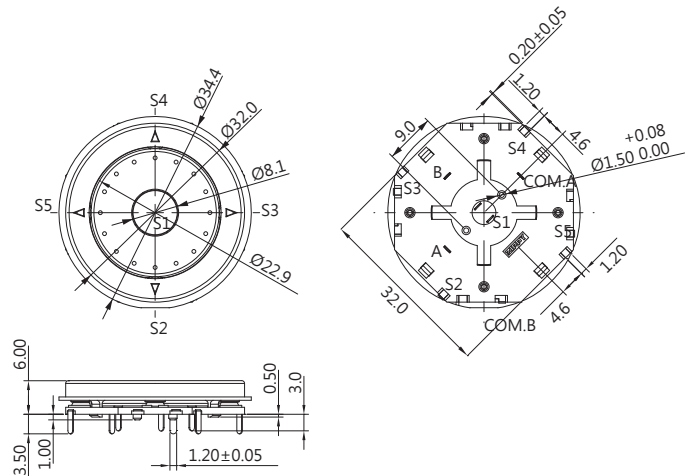
Remote control, Tablet, Keyboard, Audio, Mp3 player, Notebook,
Mobile phone

ORDERING INFORMATION



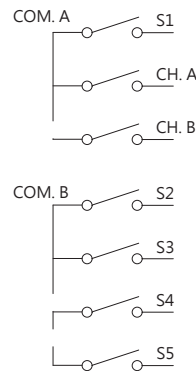
DIMENSIONS

Unless otherwise specified, a tolerance of ±0.4mm applies to all dimensions.

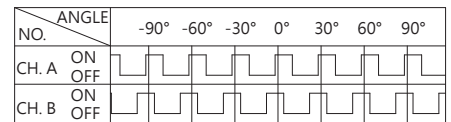


CONTACT CONFIGURATION

Functional Block Diagram



Rotational Output Waveform



CW ← → CCW

Numbers of detent : 24

Pulse/Rotation : 12 pulse/360°

MOUNTING HOLES

