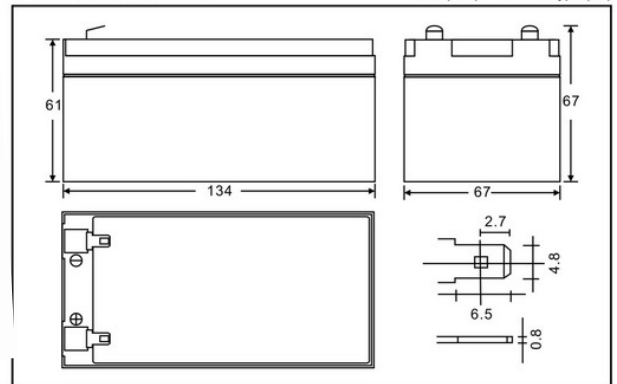




Akumulator żelowy VIPOW 12V 3.3Ah



Plane Chart:



ISO9001
ISO14001
OHSAS18001

Characteristic:

- 1.100% testing before out of factory, stable and reliable quality is guaranteed.
2. Professional alloy formula and advanced manufacturing techniques.
3. Completely sealed and maintenance free, low self-discharge.
4. Good charge-discharge acceptability.
5. Cyclic application: deep cycle charge-discharge for more than 260 times.
6. Floating application: for 3-5 years.

Application:

- Anti-theft system
- Radio transceiver
- Power system
- Railroad engine and railway communication
- Emergency lighting and lamps
- Electric tools
- Electronic instruments and other backup power
- Medical facilities
- UPS for banking system
- Computer backup power
- Railroad engine and railway communication
- Marine system
- UPS for fire fighting system
- Toys

Parts:

Executed Standard:GB/T 19639.1-2005

Cover	Container Bottom	Terminal	Positive Plate	Negative Plate	Separator	Electrolyte	Safety Valve	Seal Glue
ABS	ABS	Copper	PbO ₂	Pb	AGM	dilute sulphuric acid	Rubber	Epoxy Resin

Packing

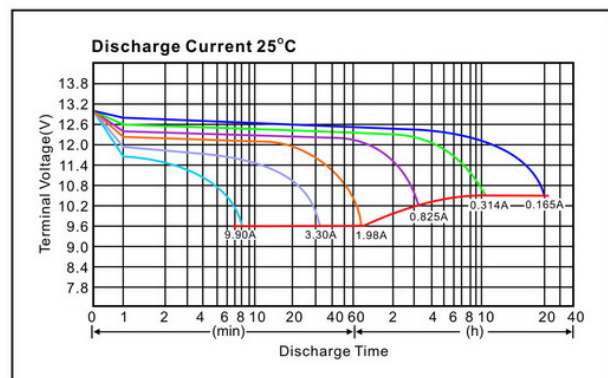
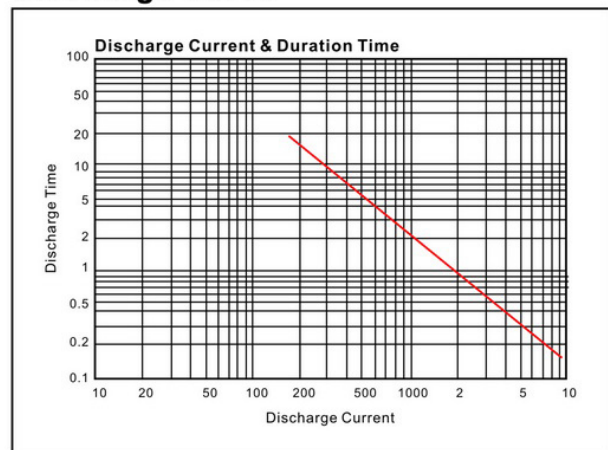
Date	Battery Packing	Inner Packing	Outer Packing
① Printing	① Polybag	Paper Box	Carton Packing
② Branded	② Shrink		
Carton Sealing		Accessories	
① Packing Strap		Bolts&nuts	Mini Charger
② Shrink		With	Optional

Parameter Chart:

Volts	12V	
Capacity(25°C)	20 hours rate (0.165A)	3.3Ah
Discharge Current Testing (25°C)	20 I ₂₀ rate (3.3A, 27min)	35min
	60 I ₂₀ rate(9.9A, 7min)	8.5min
Internal Resistance	Full Charged Battery 25°C	60mΩ
Capacity Affected By Temperature (20 hours rate)	40°C	102%
	25°C	100%
	0°C	85%
	-15°C	62%
Residual Capacity (25°C)	Capacity After 3 Months Storage	91%
	Capacity After 6 Months Storage	82%
	Capacity After 12 Months Storage	64%
Cycle (Above 300 Time)	Discharge 2hrs at 0.825A Current Charge 6hrs at 0.33A Current (25°C)	
Charge (Constant Voltage)	Cycle (25°C)	Initial Charging Current Less Than 0.99A Voltage 14.5~14.9V
	Float (25°C)	Charge Voltage 13.6~13.8V
Weight (Approx)		1.37Kg

★The above are average and date obtained from the first 3 charge/discharge cycles. These are not minimum values.

Discharge Curve





Constant Current Discharge (Amperes) at 25°C (77°F)												
F.V/Time	5min	10min	15min	30min	1Hr	2Hr	3Hr	4Hr	5Hr	6Hr	10Hr	20Hr
1.80V/cell	9.11	6.83	4.95	3.33	1.95	1.09	0.825	0.660	0.581	0.475	0.310	0.162
1.75V/cell	9.44	6.96	5.05	3.40	1.97	1.12	0.858	0.693	0.594	0.482	0.317	0.165
1.70V/cell	10.30	7.39	5.35	3.53	2.01	1.16	0.881	0.703	0.604	0.492	0.323	0.168
1.65V/cell	11.32	8.02	5.81	3.73	2.01	1.16	0.891	0.711	0.611	0.495	0.327	0.168
1.60V/cell	12.28	8.42	6.11	3.89	2.05	1.19	0.898	0.716	0.617	0.505	0.330	0.172

Constant Power Discharge (Watts/cell) at 25°C (77°F)												
F.V/Time	5min	10min	15min	30min	1Hr	2Hr	3Hr	4Hr	5Hr	6Hr	10Hr	20Hr
1.80V/cell	119.31	87.83	70.39	41.86	24.02	13.01	9.617	7.948	6.633	5.572	3.705	1.940
1.75V/cell	138.09	95.14	73.64	43.46	24.74	13.27	9.811	8.090	6.732	5.657	3.762	1.980
1.70V/cell	146.72	98.58	75.89	44.45	25.18	13.49	9.900	8.231	6.770	5.770	3.782	1.990
1.65V/cell	153.31	100.94	77.64	45.06	25.48	13.63	9.971	8.316	6.793	5.827	3.790	1.994
1.60V/cell	158.40	102.96	79.20	45.54	25.74	13.78	10.027	8.401	6.811	5.883	3.790	1.994

Loading Info

Master Carton			Pallet			20 GP	
Pcs/Ctn	Size(mm)	N.W.(kg)	Size(mm)	Total CTNS	N.W.(T)	Pallet Qty	Battery Qty(pcs)
20 PCS	400*238*80	11.60					