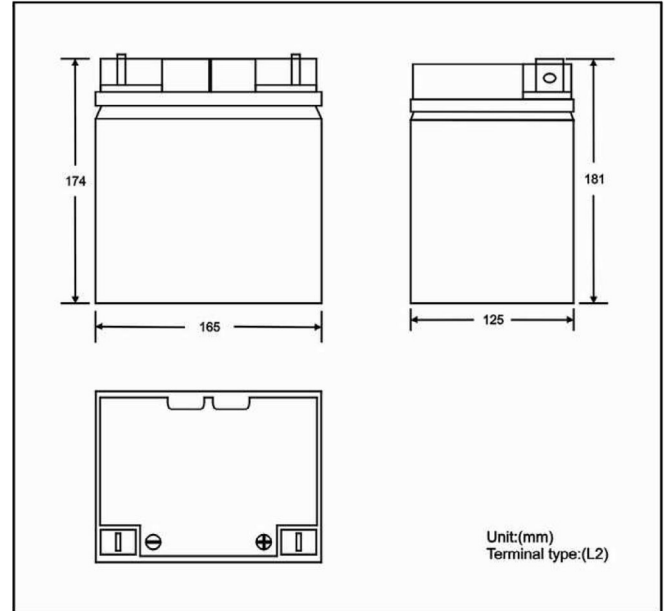




## Akumulator żelowy VIPOW 12V 26Ah



### Specifications

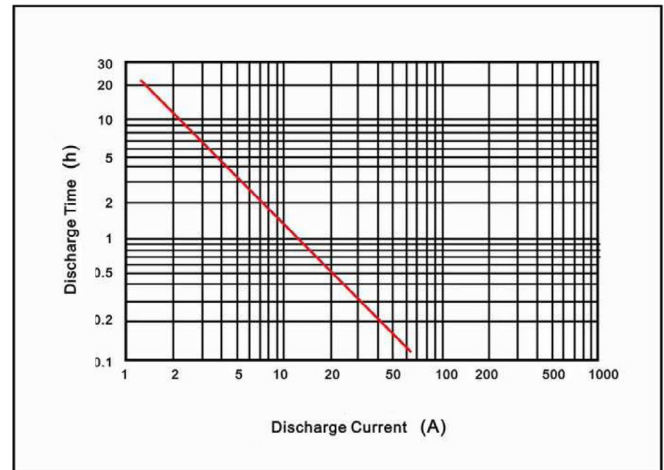
LP26-12		
Nominal Voltage	12V	
Rated Capacity (20 hours rate)	26Ah	
Dimension (±2mm)	Total Height (with terminals)	181mm
	Length	165mm
	Width	125mm
	Height	174mm
Weight (Approx)	8.46Kg	

### Characteristics

Capacity	20 hours rate (1.3A)	26Ah
Discharge Current Testing (25°C)	20 I <sub>20</sub> rate (26A, 27min) 60 I <sub>20</sub> rate (78A, 7min)	32min 8min
Internal Resistance	Full Charged Battery 25°C	10mΩ
Capacity Affected By Temperature (20 hours rate)	40°C 25°C 0°C -15°C	102% 100% 85% 62%
Residual Capacity (25°C)	Capacity After 3 Months Storage Capacity After 6 Months Storage Capacity After 12 Months Storage	91% 82% 64%
Cycle (Above 300 Time)	Discharge 2hrs at 6.5A Current Charge 6hrs at 2.6A Current (25°C)	
Charge (Constant Voltage)	Cycle (25°C)	Initial Charging Current Less Than 7.8A; Voltage 14.5~14.9V
	Float (25°C)	Charge Voltage 13.6~13.8V

★ The above are average and date obtained from the first 3 charge/discharge cycles. These are not minimum values.

### Discharge Current & Duration Time



### Discharge Current 25°C

