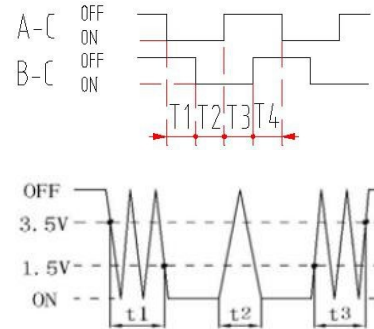
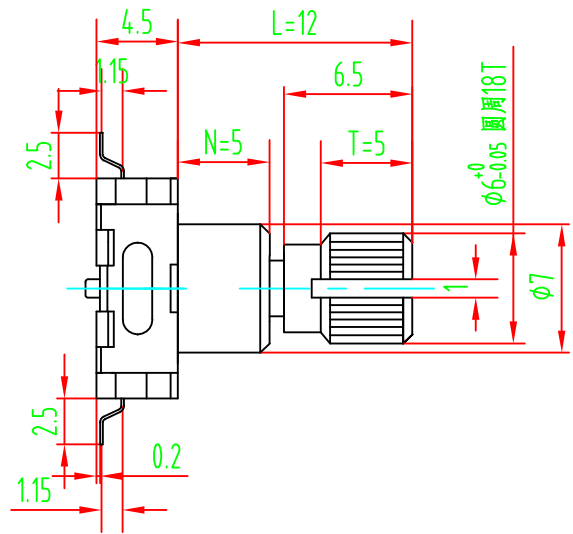
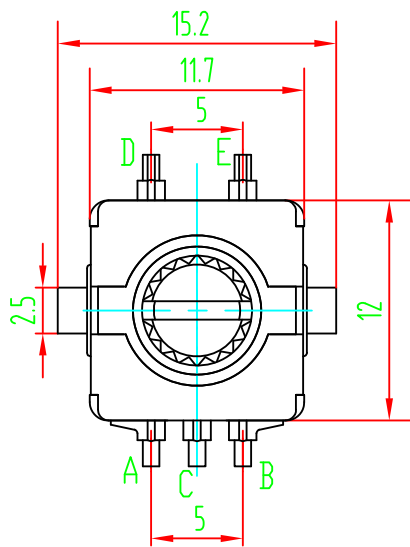


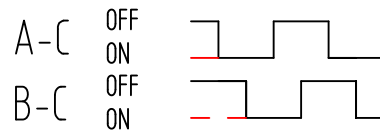
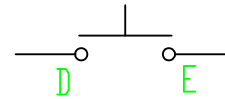
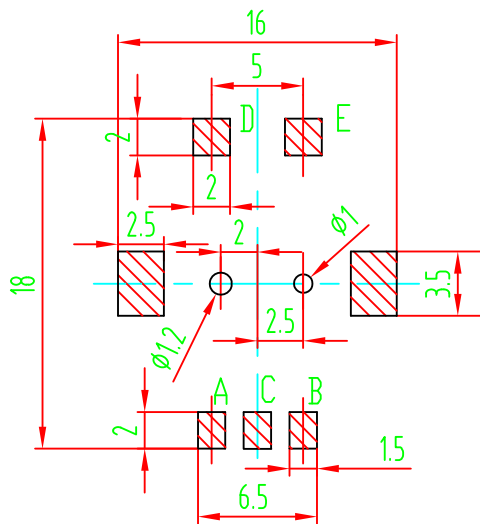
EC11 Series Specification

EC11J12-15P30C-SW	
Mechanical Characteristics	
ITEM	SPECIFICATION
Total Rotational Angle	360°
Rotational Torque	□ 20 ≈ 200gf.cm
Click pull-out Torque	□ 20 ≈ 150gf.cm
Shaft push-pull Strength	8.0kgf-10.0kgf Min at 8sec
Shaft Wobble Strength	0.7*L/30mm p-p Max L:shaft length
Number of Click	□ 20 clicks Step Angle:18° ±2° ■ 30 clicks Step Angle:12° ±2°
Bushing-nut tightening strength	7.0kgf.cm Min
Shaft rotational gap	0.4mm Max
Shaft play in rotational wobble	5° Max
Electrical Characteristics	
ITEM	SPECIFICATION
Power rated	DC 5V, A、B lead 5mA Max, C lead 10mA Max
Output signal	A、B 2 signals
Resolution	□ 20 pulses/360° ■ 15 pulses/360°
Contact resistance between pins	1 Ω Max
Phase difference	T1、T2、T3、T4 ≥ 0.08T
Rotation noise	t1, t3 ≤ 3mS t2 ≤ 2mS
Insulation resistance	100MΩ Min at DC 250V
Dielectric	1 minute at AC 300V
Endurance characteristics	
ITEM	SPECIFICATION
Rotational life	□ 30,000 ± 200 cycles ≤ 100gf.cm □ 15,000 ± 200 cycles ≥ 100gf.cm
Storage temperature range	-40°C ≈ +85°C
Operating temperature range	-30°C ≈ +80°C
Soldering characteristic	dipping in soldering ≤ 206°C ± 5°, within 3S solder by hand: ≤ 300°C ± 5°, within 3S





Mounting Hole



L	12				
L1	6.5				
T	5				
N	5				

2				5			
1				4			
	DATE	REVISION	APPROVED	3			
	2016.12.10	2016.12.10	2016.12.10	MODEL: EC11J12-15P30C-SW			
DWN	DHKD	APPD	SRPASSIVES				