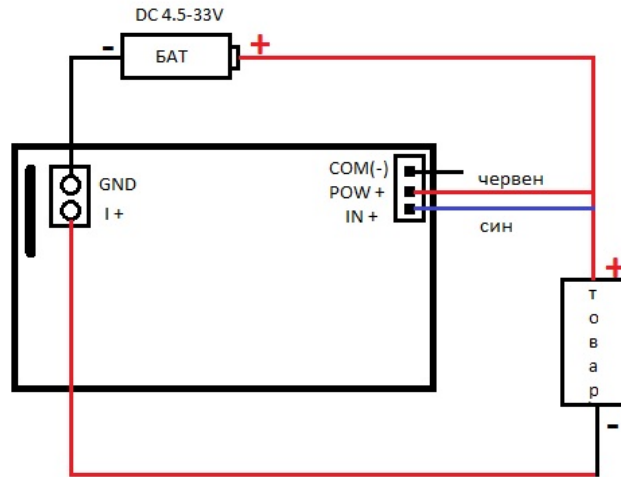


DC 0-10A  
DC 4.5-33V



DC 0-10A  
DC 0-100V

